

LETTERS

The origin of the naked grains of maize

Huai Wang^{1*}, Tina Nussbaum-Wagler^{1*}, Bailin Li², Qiong Zhao¹, Yves Vigouroux^{1†}, Marianna Fallert², Kirsten Bomblies¹, Lewis Lukens³ & John F. Doebley¹

The most critical step in maize (*Zea mays* ssp. *mays*) domestication was the liberation of the kernel from the hardened, protective casing that envelops the kernel in the maize progenitor, teosinte¹. This evolutionary step exposed the kernel on the surface of the ear, such that it could readily be used by humans as a food source. Here we show that this key event in maize domestication is controlled by a single gene (*teosinte glume architecture* or *tga1*), belonging to the SBP-domain family² of transcriptional regulators. The factor controlling the phenotypic difference between maize and teosinte maps to a 1-kilobase region, within which maize and teosinte show only seven fixed differences in their DNA sequences. One of these differences encodes a non-conservative amino acid substitution and may affect protein function, and the other six differences potentially affect gene regulation. Molecular evolution analyses show that this region was the target of selection during maize domestication. Our results demonstrate that modest genetic changes in single genes can induce dramatic changes in phenotype during domestication and evolution.

The origin of the maize ear has been considered one of the greatest mysteries in both crop domestication³ and plant evolution⁴. Although a wealth of botanical and genetic information has identified the wild Mexican grass teosinte (*Zea mays* ssp. *parviglumis*) as the direct progenitor of maize, the profound differences in the structure of the maize and teosinte female inflorescences (ears) have challenged the formulation of a compelling model for the developmental and genetic steps involved in this evolutionary transition³. At the heart of the problem is the fact that teosinte kernels are tightly encased in structures called cupulate fruitcases, whereas maize kernels are borne uncovered on the surface of the ear (Fig. 1a, b). The strength with which the fruitcase envelops the teosinte kernel and the stony nature of this casing far exceed the relatively flimsy and loosely bound chaff that surrounds the kernels of the ancestors of the other domesticated cereals. Indeed, the stony fruitcase of teosinte had been considered such an obstacle to the use of teosinte as a grain that teosinte was dismissed by some as a possible progenitor of maize⁵. It was argued that the genetic steps to free the grain from this casing and thereby convert teosinte into a useful crop were too complex to have arisen under domestication.

Each of the five to twelve cupulate fruitcases in a teosinte ear is formed from an invaginated internode (cupule) within which the kernel sits, and a glume that covers the opening of the cupule such that the kernel is completely hidden from view (Fig. 1b, d). When mature, the teosinte ear disarticulates into the individual fruitcases, each of which contains one kernel. The fruitcase functions to protect the kernel from predation, and passes unscathed through the digestive tracks of animals, providing a means of biotic seed dispersal⁶. At maturity, teosinte fruitcases are heavily lignified and the epidermal cells are filled with silica, giving the fruitcase a stony appearance⁷. Cupules and glumes are present in maize, but reduced

in size relative to the kernel such that they do not surround the kernel. In maize, these organs form the central cob of the ear to which the kernels are attached (Fig. 1a). Maize glumes are less lignified and contain less silica than their teosinte counterparts⁷. Thus, maize domestication involved a change in ear development such that the cupules and glumes form the internal axis of the ear, rather than casings around the kernels. In a sense, maize domestication involved turning the teosinte ear inside out.

Genetic control of the differences in fruitcase/ear structure between maize and teosinte was previously shown to involve a single quantitative trait locus (QTL) of large effect plus several quantitative trait loci of smaller effect⁸. The large effect QTL segregates as a single mendelian locus in an isogenic background, and has been designated *tga1* (ref. 1). However, whether *tga1* represents a single gene or a complex locus consisting of multiple linked genes remained unknown. In the teosinte genetic background, the maize allele (*Tga1-maize*) causes a reduction in internode invagination such that the cupule is too small to house the teosinte kernel, which becomes exposed on the surface of the teosinte ear (Fig. 1c, e). In maize background, the teosinte allele (*tga1-teosinte1*) causes an enlargement of the cupule and glume (Fig. 1f, g). Moreover, the teosinte allele causes the epidermal cells of the cupule and glume to be filled with silica, a feature that accounts for the hardness of the teosinte cupulate fruitcase⁷. The teosinte allele also produces a thicker layer of lignified cells in the glume. The multiple effects on cupule development, three-dimensional growth of the glume, lignification and silica deposition suggest that *tga1* acts as a regulatory gene at the head of a developmental cascade⁷.

We used the maize genetic map, physical maps for maize inbreds B73 and Mo17, and the rice physical map to develop a set of molecular markers near *tga1* (see Supplementary Information). Starting with marker np1316 on maize chromosome 4 (ref. 1), which is tightly linked to *tga1*, we screened maize bacterial artificial chromosome (BAC) libraries and identified a BAC contig near *tga1*. We used BAC end and other sequences from this contig to BLAST the rice genome, and identified a region on rice chromosome 8 that is collinear with the region near *tga1* on maize chromosome 4. Subsequent BLAST searches using the collinear rice sequence identified a second maize contig near *tga1*. DNA sequence analysis revealed that the two maize contigs overlap, enabling us to assemble a single supercontig of ~1.5 megabases. We used markers within this supercontig and determined that *tga1* was located within the supercontig (see Supplementary Methods).

To fine-map *tga1*, we screened 3,106 F₂ plants segregating for *tga1* with markers b91.k20 and umc1511, and scored the plants for the *tga1* trait (Fig. 2a). Marker b91.k20 is located at one end of the supercontig, and umc1511 is located off the other end of the supercontig. Plants containing crossovers between these two markers were assayed for marker be25.a15, which is at the opposite end of the

¹Laboratory of Genetics, University of Wisconsin, Madison, Wisconsin 53706, USA. ²DuPont Crop Genetics, Wilmington, Delaware 19880-353, USA. ³Department of Plant Agriculture, Crop Science Building, University of Guelph, Guelph, Ontario N1G 2W1, Canada. [†]Present address: Institut de Recherche pour le Développement, Montpellier 34730, France.

*These authors contributed equally to this work.

supercontig from b91.k20. These data confirmed that *tga1* lies between b91.k20 and be25.a15. Markers from within the supercontig were placed on our genetic and physical maps, enabling us to map *tga1* to BAC c126f15. Markers within this BAC allowed us to map *tga1* to a ~6-kb segment between bnl252 and bm22.7. As this ~6-kb region encompassed seven additional recombination events, we were able to further map the element that controls the difference between the maize and teosinte phenotypes to a 1,042-bp segment between single nucleotide polymorphisms (SNPs) -1024 and +18.

BLAST searches using the 6-kb region at *tga1* revealed that it has homology to SBP (squamosa-promoter binding protein) transcriptional regulators². Although there are no maize expressed-sequence-tags (ESTs) that closely match this region, we identified matching ESTs from other cereals, including one from rice (GenBank AK109469) that maps to the collinear region on rice chromosome 8 discussed above. On the basis of their homologous sequences and collinear chromosomal locations, AK109469 is probably the rice orthologue of *tga1*. We aligned this rice EST with the maize genomic sequence and identified three exons in maize that match those of rice with putatively conserved start and stop codons (Fig. 2b). We designed primers on the basis of the maize sequence, corresponding to the 3' and 5' non-translated regions of the rice EST. Polymerase chain reaction with reverse transcription (RT-PCR) using total RNA isolated from maize ears gave a single product of the expected size, on the basis of the rice EST. The RT-PCR product was sequenced, confirming that it matched the maize genomic sequence and that it contains two introns in the same positions as in rice (Fig. 2b). The open reading frame encodes a putative protein of 432 amino acids

that is 58% identical and 66% similar to the rice EST (Fig. 2b).

We used another *tga1* allele (*tga1-ems1*) that was generated by ethyl methanesulfonate mutagenesis of maize line W22 to confirm that the SBP-domain gene just described is *tga1* (see Supplementary Methods). Plants homozygous for *tga1-ems1* (Fig. 1h) match the phenotype of the teosinte allele, although phenotypic expression of *tga1-ems1* seems more environmentally labile than *tga1-teosinte1*. DNA sequence analysis of the SPB gene for the *tga1-ems1* stock revealed that it differs from its parental (W22) allele by a non-conservative amino acid substitution of a phenylalanine for a leucine at position 5 (Fig. 2b). This mutation in the *tga1-ems1* allele confirms our conclusion from positional cloning that *tga1* is the SBP gene, and demonstrates that a single amino acid substitution is sufficient to confer the difference between the maize and teosinte phenotypes.

The functional difference between the maize and teosinte alleles of *tga1* could result from differences in gene expression or the *tga1* protein. To investigate the former possibility, we used a combination of northern blots, *in situ* hybridization and real-time PCR with maize inbred W22, an isogenic version of W22 (W22:*tga1*) that carries a teosinte allele at *tga1*, and teosinte itself. Northern blot analysis showed that *tga1* is expressed relatively strongly in immature ears and weakly in husks, but *tga1* expression was not detected in the other tissues examined (Fig. 3a). The messenger RNA levels for immature ears with the maize versus teosinte alleles seemed equivalent. To confirm equivalent expression of the maize and teosinte alleles, we used real-time PCR, which showed that relative *tga1* mRNA levels for the maize (0.79 ± 0.06 , mean \pm s.e.m.) and teosinte (0.85 ± 0.06) alleles were indeed statistically equivalent (t -test = 0.65, $P = 0.37$).

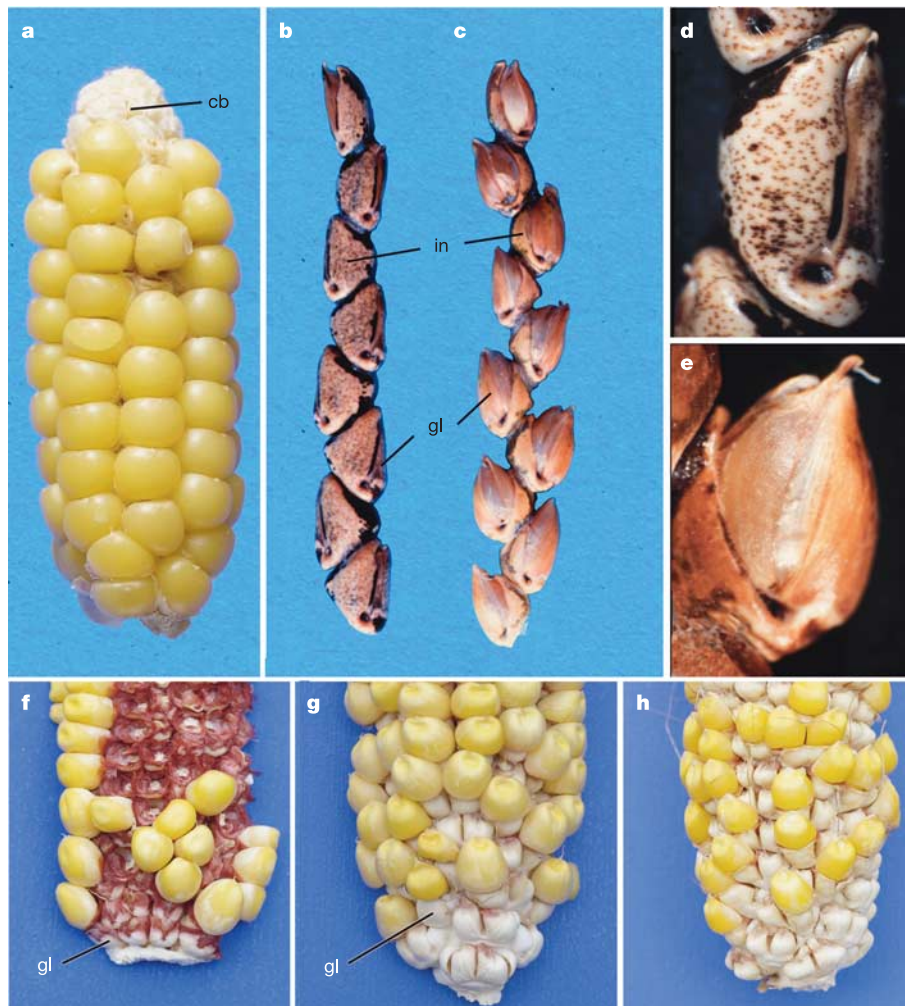


Figure 1 | Phenotypes. **a**, Maize ear showing the cob (cb) exposed at top. **b**, Teosinte ear with the rachis internode (in) and glume (gl) labelled. **c**, Teosinte ear from a plant with a maize allele of *tga1* introgressed into it. **d**, Close-up view of a single teosinte fruitcase. **e**, Close-up view of a fruitcase from teosinte plant with a maize allele of *tga1* introgressed into it. **f**, Ear of maize inbred W22 (*Tga1-maize* allele) with the cob exposed, showing the small white glumes at the base. **g**, Ear of maize inbred W22:*tga1*, which carries the teosinte allele, showing enlarged (white) glumes. **h**, Ear of maize inbred W22 carrying the *tga1-ems1* allele, showing enlarged glumes. For higher magnification images of **f-h**, see Supplementary Information.

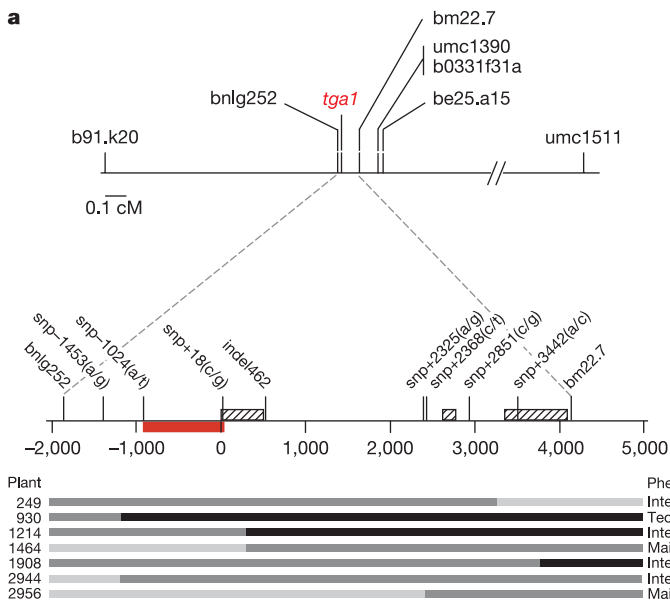
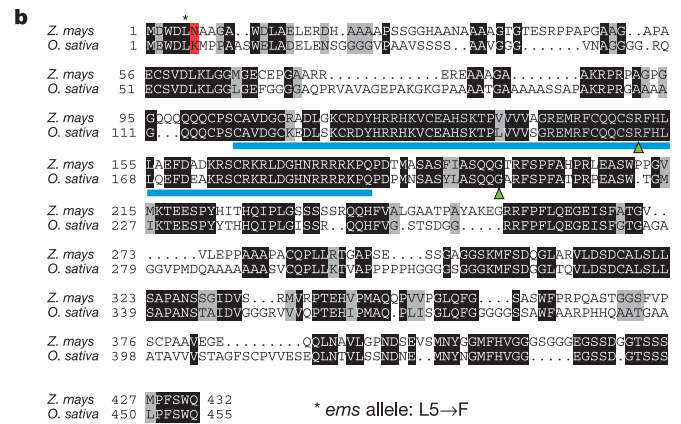


Figure 2 | The *tga1* locus. **a**, Map of the chromosomal segment at *tga1* with the marker loci used for positional cloning. Hatched boxes indicate the three exons of *tga1*. The red box is the 1,042-bp segment to which the factor controlling the difference between maize and teosinte was mapped. Seven of the 3,106 plants with crossovers in *tga1* are shown, together with their phenotypes and genotypes (light grey bar, homozygous maize; medium grey bar, heterozygous; black bar, homozygous teosinte). For details on marker

We also compared the expression patterns of the maize and teosinte alleles using *in situ* hybridization. In the maize inbred W22, *tga1* is expressed in the inflorescence meristem of the developing ear and the spikelet pair primordia (Fig. 4a). It is also expressed in the spikelet primordia, including the glume primordia (Fig. 4e). In older spikelet primordia, *tga1* expression is seen in glumes, lemma, lower floret and other floral organs (Fig. 4i). We observed weak but distinct expression throughout the immature ear when hybridization was compared between the antisense probe (Fig. 4a, e, i) and sense controls (Fig. 4d, h, l). We also observed a band of *tga1* expression at the adaxial junction of the spikelet and the inflorescence axis, the region of the inflorescence that develops into the cupule (Fig. 4i).

When we compared the pattern of *tga1* expression seen in W22 to that in W22:*tga1* or teosinte itself, we found no clear differences. In W22:*tga1*, expression is observed in the inflorescence meristem, spikelet pair meristems, glumes, cupule forming region and other floral organs (Fig. 4b, f, j). Similarly, in teosinte, we observed the same spatial pattern of expression (Fig. 4c, g, k). Teosinte also shows *tga1* expression in the husk leaf that subtends the ear (Fig. 4c), consistent with the weak expression seen in maize husks (Fig. 3a). Overall, we do not see any quantitative or qualitative differences in *tga1* expression between the isogenic lines (W22 and W22:*tga1*) or between the maize inbred W22 and teosinte itself. Our expression analyses cannot rule out the existence of some complex or subtle difference in expression, such as prolonged expression throughout later development for one of the genotypes. However, the absence of any discernible differences suggests that differences between the maize and teosinte proteins may be critical to phenotype.

Our genetic analyses narrow the location of the causative site for the functional difference between maize and teosinte to the 1,042-bp segment described above. DNA sequence analysis of this 1,042-bp segment using 16 diverse maize and 12 teosinte individuals identified seven fixed differences between maize and teosinte. Six of these seven are single base-pair polymorphisms that lie just 5' of the coding sequence and potentially affect *tga1* expression. The seventh difference encodes an amino acid substitution of lysine (K) in teosinte to



loci see Supplementary Information. **b**, The *tga1* protein sequence aligned with its rice counterpart (*O. sativa*). Background for identical amino acids is black, grey for similar ones. Blue bar indicates the SBP domain, green triangles indicate the intron positions. The fixed amino acid difference between teosinte and maize (K → N) is highlighted in red. The position of the L → F amino acid change for the *tga1-ems1* allele is marked with an asterisk.

asparagine (N) in maize at position 6 (Fig. 2b). Several observations suggest that this amino acid substitution is the causative site. First, we observed no differences in the level of *tga1* mRNA accumulation between the isogenic lines for the maize and teosinte alleles. Second, we observed no differences in the pattern of *tga1* expression between

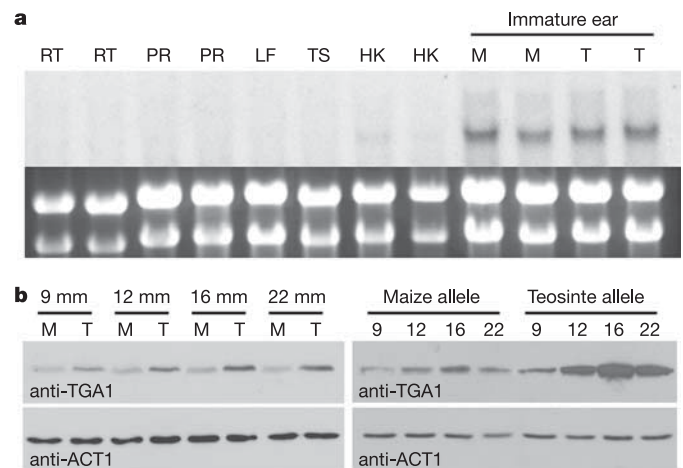


Figure 3 | Molecular analysis of *tga1*. **a**, Top panel is a northern blot showing that *tga1* is expressed in immature ears of W22 maize (M) and W22:*tga1* (T), which carries the teosinte allele. Weak expression is also visible in the husks (HK). No expression of *tga1* is seen in root (RT), prop root (PR), unexpanded leaf (LF) or immature tassel (TS). Lower panel is the ethidium-bromide-stained gel with the visible ribosomal RNAs confirming approximately equal loading of total RNA in each lane. **b**, Western blots showing that the protein encoded by the teosinte allele of *tga1* accumulates at a higher level than the protein of the maize allele. Blots probed with either anti-TGA1 or anti-actin (ACT1, control) antibodies. Protein was extracted from individual ears of W22 maize (M) carrying a maize allele and W22:*tga1* (T) carrying a teosinte allele. Immature ears were staged by their lengths, which are indicated in millimetres.

these same isogenic lines, and teosinte itself shows a parallel pattern of *tga1* expression to that observed in maize. Third, the lysine residue observed in teosinte at position 6 is conserved between rice, wheat (GenBank CK207354) and teosinte, suggesting that it is important to protein function or stability. Fourth, the *tga1-ems1* mutant allele that we recovered alters the amino acid adjacent to the maize/teosinte amino acid difference (Fig. 2b), indicating that this region of the protein is critical and that an amino acid change here is sufficient to distinguish the maize and teosinte phenotypes.

We used western blotting to test whether there is a difference in *tga1* protein abundance associated with the maize and teosinte alleles, and observed that the protein encoded by the teosinte allele is more abundant over a range of developmental stages (Fig. 3b). Given this result, a difference in protein abundance might underlie the phenotypic differences. The K → N substitution might alter protein stability, or it might affect translation efficiency or protein function. One could argue that the difference in protein level is caused by one or more of the six promoter SNPs and that these SNPs are the causative site(s). However, given that the *tga1-teosinte1* and *tga1-ems1* alleles share amino acid changes at adjacent sites, and that these alleles result in nearly the same phenotype, we believe that the K → N substitution is the more probable candidate for the causative site.

If *tga1* were the target of selection during maize domestication, then the signature of past selection may be evident in its level of DNA sequence polymorphisms. We analysed sequence variation across *tga1* for diverse samples of maize and teosinte. Three expectations of past selection were assessed. First, we estimated the ratio of nucleotide diversity (π) in maize to that in teosinte. Selection during maize domestication will reduce this ratio⁹. Second, we calculated Tajima's *D*-statistic¹⁰, which measures whether there is an excess of low frequency polymorphic sites. Such an excess is expected in the wake of a recent selective sweep and will cause a negative *D*-statistic. Third, we applied the HKA (Hudson-Kreitman-Aguadé) test¹¹, which assesses the ratio of diversity in the focal species (maize) to divergence from an outgroup (*Z. diploperennis*) for a target gene (*tga1*) relative to one or more control (neutral) genes.

The *tga1* promoter region shows strong evidence of a past selective

sweep, with a significant Tajima's *D*-statistic and a highly significant HKA test (Fig. 5a). Furthermore, the ratio of $\pi_{\text{maize}}/\pi_{\text{teosinte}}$ indicates that maize possesses only 5% of the diversity found in *parviglumis* teosinte, which is far below the 60–80% level observed for neutral genes^{9,12} and nearly as low as the level observed in the 5' regulatory region of *tb1*, another maize domestication gene¹³. The first exon shows modest evidence for past selection, with a significant HKA test, a $\pi_{\text{maize}}/\pi_{\text{teosinte}}$ ratio of 27% and a negative but not statistically significant *D*-statistic. In contrast, both exons 2 and 3 show neutral patterns of sequence diversity, indicating that the effect of the selective sweep does not extend across the entire gene (Fig. 5a). The stronger evidence for selection in the promoter compared with exon 1 seems inconsistent with the inference that the causative site is the K → N substitution in exon 1. However, the putative selected site is essential at the promoter–exon 1 border, and thus promoter diversity should be affected by selection on this site. Moreover, the promoter has high diversity in teosinte, whereas exon 1 has low diversity in teosinte. This difference means that there is more statistical power to obtain a significant test in the promoter than in exon 1.

We also applied two approaches that model a selective sweep using the coalescent. First, we used the method of Kim and Stephan¹⁴, which calculates the likelihood ratio for a selective sweep versus a neutral model and provides an estimate of the strength of selection ($2Ns$). This analysis indicated that $2Ns = 9,232$, a value which would be observed very rarely under neutral evolution ($P < 0.0001$). Second, we used the method of Przeworski¹⁵, which provides an estimate of the time since fixation of a beneficial allele ($T = T_{\text{gen}}/4N$), which will be < 0.2 in the case of a recent selective sweep. For *tga1*, the mode of the distribution of simulated values of T is ~ 0.021 , and over 99.7% of the simulation values are ≤ 0.2 , providing strong support for a recent selective sweep. This latter method also provides a joint posterior distribution of the selection coefficient (s) and the time in generations since the fixation of the favoured allele ($T_{\text{gen}} = 4NT$). When the population size (N) is set to 100,000, this distribution suggests a selection coefficient of 3–4% and a time since fixation of the favoured allele of $\sim 10,000$ yr for *tga1* (Fig. 5b).

Our results demonstrate that complex differences between the cob

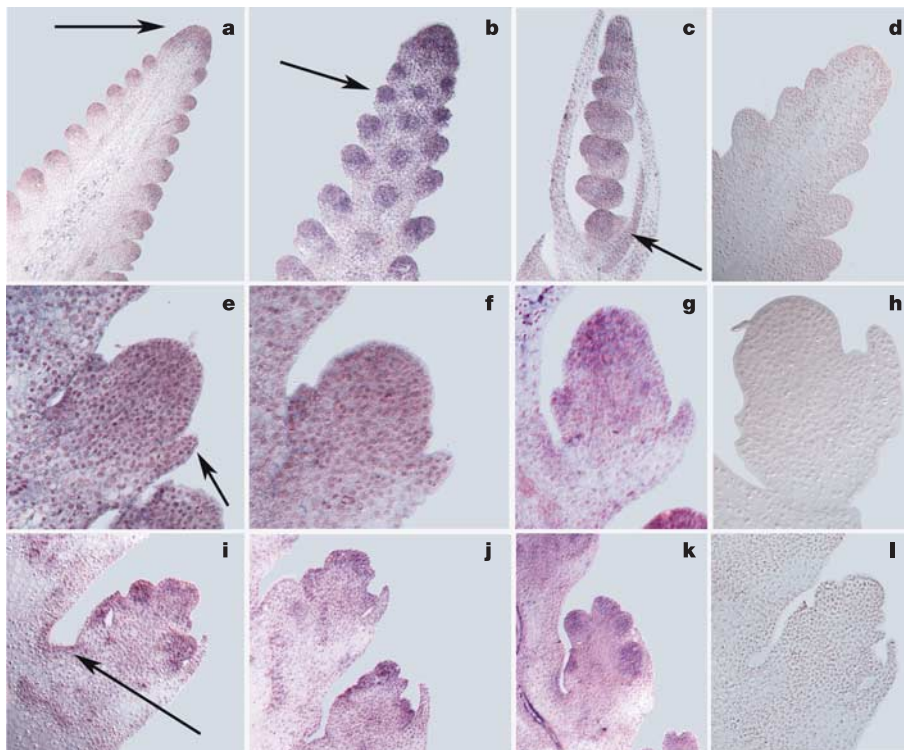


Figure 4 | Tissue *in situ* hybridizations.

a–d, Immature ears. **e–h**, Young spikelet primordia. **i–l**, Older spikelet primordia with distinct floral organ primordia. *tga1* antisense probe was applied to W22 maize (**a**, **e**, **i**), W22:*tga1* (**b**, **f**, **j**) and teosinte (**c**, **g**, **k**), and a *tga1* sense probe was applied to W22 as a control (**d**, **h**, **l**). Arrows show *tga1* expression in the inflorescence meristem (**a**), spikelet-pair primordium (**b**), teosinte husk (**c**), glume (**e**) and cupule-forming region (**i**).

that bears the naked grains of maize and the hardened fruitcases that surround the kernels of teosinte are regulated by a single gene, *tga1*, and it is possible that just a single amino acid change within this gene is responsible for these differences. Exactly how *tga1* regulates ear development remains to be determined. One interpretation is that like many other developmental genes in plants, *tga1* regulates organ identity. The glumes and internodes of the teosinte ear are exceptional among grasses for their degree of lignification and the presence of silica in all epidermal cells. The glumes of the maize ear are more leaf-like and closer in morphology to the glumes of other grasses⁷. In teosinte, therefore, *tga1* may both activate the developmental processes to produce the hardened glumes and invaginated internodes of teosinte, as well as repress a default developmental programme for the leaf-like identity of glumes and solid internodes found in other grasses.

The domestication of maize has been a topic long surrounded by controversy. Mangelsdorf and Reeves⁵ argued that teosinte could not be the progenitor of maize because the morphological differences between maize and teosinte were so vast that the underlying genetic steps could not have arisen during the few thousand years in which maize was domesticated. Thus, they argued that maize evolved in nature over a long evolutionary period. Their assertions were challenged by Beadle¹⁶, who contended that mutations of large effect in a small number of genes would be sufficient to convert teosinte into a useful grain crop. Our results with *tga1* confirm Beadle's

interpretation that simple mutations in single genes contributed major morphological steps in maize domestication.

Although progress has been made in identifying genes involved in crop domestication, identifying the specific polymorphisms controlling domesticated phenotypes has proved elusive. Regulatory changes in the *fw2.2* gene appear to control a major portion of the difference in fruit weight between wild and cultivated tomatoes¹⁷, but the specific regulatory elements involved have not yet been pinpointed. Similarly, regulatory changes in the *tb1* gene have been suggested to control the difference in plant architecture between maize and teosinte^{13,18}, but again the specific regulatory changes remain unknown. For *tga1*, we have identified a set of seven SNPs, one or some combination of which represent the causative site(s). On the basis of the available evidence, our preferred hypothesis is that the K → N substitution controls the phenotypic difference between maize and teosinte.

A feature of all domestication genes that have been identified to date is that the 'cultivated' allele is also found at moderate frequencies in the wild progenitor. This is true of *fw2.2* in tomato¹⁹, *tb1* in maize¹³, and *BoCal* in broccoli²⁰. Thus, the evolution of fruit weight in tomato, plant architecture in maize, and inflorescence structure in broccoli all fit a model of human selection acting upon standing allelic variation that preexisted in the wild progenitor. In contrast, *tga1* may represent a case of new mutation (or at least a rare variant), as we failed to find the maize allele in teosinte by our sequence diversity analysis.

Charles Darwin²¹ used evolution under artificial selection (domestication) as a model for evolution under natural selection. Domestication genes such as *tga1* can provide appropriate models for genes that control key innovations that differentiate natural species. In this context, several features of *tga1* are notable. First, *tga1* represents a single major gene that controls a profound morphological step in maize evolution, and thereby provides support for the view that major gene changes can and do contribute to the origin of evolutionary novelties²². Second, the argument that such gene changes are unlikely because they are typically accompanied by deleterious pleiotropic effects²³ does not apply to *tga1*. Rather, the teosinte allele provides for a fully formed cupulate fruitcase that protects the kernel in the natural environment, whereas the maize allele allows an exposed kernel to be used as food by humans as part of a mutual relationship. The lack of deleterious pleiotropic effects associated with *tga1* can be readily explained by the modular nature of maize (plant) development; *tga1* is expressed in the ear, but not elsewhere in the plant. Thus, changes in *tga1* will not have pleiotropic effects on roots, leaves, stalk or tassel, facilitating ear-specific modifications in function. Finally, the nature of the functional differences in *tga1* between maize and teosinte are simple, no more than 7-bp substitutions and perhaps just a single amino acid change. Our observations strengthen the argument that large phenotypic effects can be caused by very simple molecular changes during domestication or evolution.

METHODS

Genetic mapping. A W22 × W22:*tga1* F₂ fine-mapping population of 3,106 plants that segregated for *Tga1-maize* versus *tga1-teosinte1* was generated by self-pollinating F₁ hybrids of the parental stocks. This population was screened with markers b91.k20 and umc1511, which flank *tga1*. Plants with crossovers between these two markers were screened with additional markers located between b91.k20 and umc1511. Phenotypes of F₂ plants with crossovers between markers b91.k20 and be25.a15 were scored by visual inspection of mature ears. Although *Tga1-maize* is visually dominant to *tga1-teosinte1*, the heterozygous class is distinct and intermediate between the two homozygous classes⁷, and we were thus able to fully classify the plants into three phenotypic classes. For a complete list of the marker loci, primer sequences, PCR conditions and gel conditions, see the Supplementary Information.

Nucleic acid analyses. After genetic mapping demonstrated that *tga1* lies within the BAC c126f15, we shotgun-sequenced it to 7 × coverage (see Supplementary Information). This work produced a final assembly of ~169 kb in length

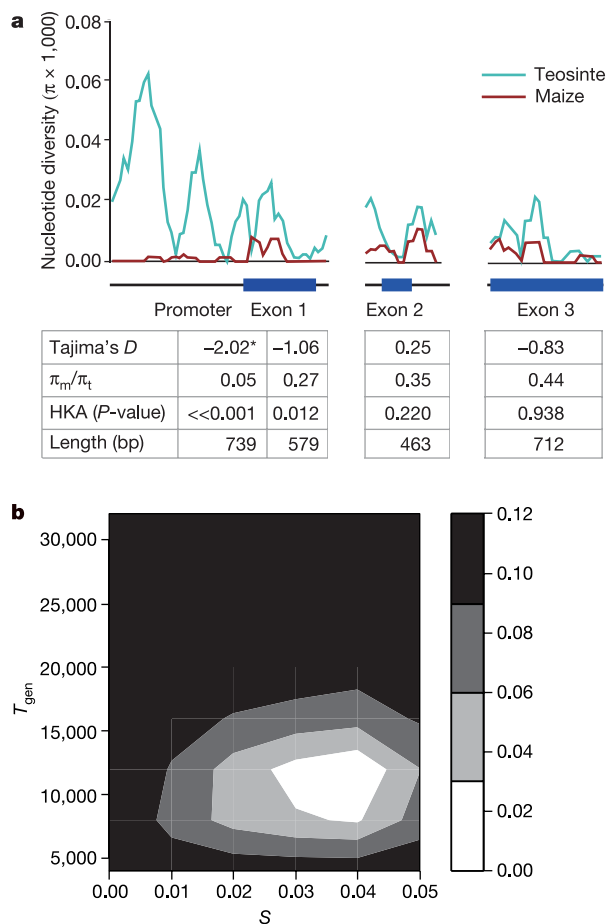


Figure 5 | Molecular evolution. **a**, Nucleotide diversity (π) in maize and teosinte for *tga1*. Tajima's *D*-statistic, HKA tests for non-neutral evolution, and the ratio of π in maize (π_m) to π in teosinte (π_t) are shown. Asterisk, $P < 0.05$. **b**, Joint distribution of the posterior probabilities (scale from white to black) for the time in generations since fixation of the maize allele (T_{gen}) and the selection coefficient *s*.

(GenBank AY883559). BLAST (<http://www.ncbi.nlm.nih.gov/>) searches identified a match between the ~6-kb region between bnl252 and bm22.7 to which *tga1* was mapped and the rice EST AK109469. We used this rice EST and the corresponding maize genomic sequence as guides to predict the location of the intron–exon boundaries of *tga1*. We confirmed that the predicted maize gene is expressed by RT–PCR. One microgram of total RNA from young W22 ears was reverse-transcribed using Superscript III (Invitrogen) and a *tga1*-specific primer. We then performed PCR with primers that amplify a region from 31 bp 5' of the putative start codon to 99 bp 5' of the predicted stop codon. The PCR product was sequenced to verify gene structure (GenBank AY883560). We isolated and sequenced the exons and 5' non-transcribed regions of *Tga1-maize*, *tga1-teosinte1* and *tga1-ems1* alleles (GenBank AY883561–AY883568) by PCR. For primers, PCR and sequencing conditions, see Supplementary Information.

Gene expression assays. Total RNA was isolated from immature ears (2–3 cm in length) and other tissues using TRI reagent (Molecular Research Center). Northern blots using ~12 µg total RNA of sample per lane were performed using standard procedures (see Supplementary Information). Complementary DNA for real-time PCR was produced using 1 µg of total RNA isolated from 16 immature ears each of W22 and W22:*tga1*. Immature ears were developmentally staged by measuring ear length to ensure that both the W22 and W22:*tga1* genotypes were represented by developmentally equivalent samples (27 ± 0.9 mm and 28 ± 0.9 mm, respectively). RNA was treated with amplification-grade DNaseI (Invitrogen) and then reverse transcribed into cDNA with random hexamers using Taqman Reverse Transcription Reagent Kit (Applied Biosystems). Maize *beta-tubulin2* (GenBank X52879) was selected as an endogenous control for PCR quantification. Two replicates were analysed for each of the 32 samples. For further details about tissue samples, reaction conditions, and primer and probe sequences, see Supplementary Information.

Methods for preparing tissue samples and *in situ* hybridization with digoxigenin-labelled RNA probes followed procedures described elsewhere²⁴. An 891-bp RT–PCR fragment of *tga1* that excluded the SBP-domain and included 80 bp of the 3' untranslated region (UTR) was amplified using PCR and cloned into pGEM-T vector (Promega). Two plasmids with different insert orientations were isolated and linearized using *SpeI*, and then used as templates to generate antisense and sense probes. Probes were synthesized by T7 RNA polymerase using the DIG RNA labelling Kit (Roche).

Protein assay. The 3' end of *tga1* excluding the SBP-box was amplified by PCR from a *tga1* RT–cDNA clone (Supplementary Methods). The PCR fragment was cloned into pET151/D-TOPO vector (Invitrogen) and transformed into BL21 codonPlus (DE3)-RIPL cells (Stratagene). The histidine-tagged TGA1 (amino acids 181–432) fusion protein was purified using a His-bind purification kit (Novagen). After a further purification by SDS–PAGE gel, the TGA1 fusion protein was used as an antigen to generate a rabbit polyclonal anti-TGA1 antibody (Invitrogen). The specificity of the antibody for TGA1 was tested by western blot analysis.

Protein from immature maize ears (9 mm to 22 mm in length) was extracted using a plant total protein extraction kit (Sigma). Protein concentrations were determined by protein assay using Quick Start Bradford dye reagent (Bio-Rad). For each ear sample, 25 µg of protein was loaded on a 10% SDS–PAGE gel and transferred to an immobilon-P membrane (Millipore) using a mini trans-blot cell (Bio-Rad). The blot was probed with anti-TGA1 primary antibody followed by affinity-purified HRP-conjugated goat anti-rabbit secondary antibody (Kirkegaard & Perry Laboratory). Immune-Star HRP substrate (Bio-Rad) was added and the chemiluminescent signal on the blots was detected with X-ray film. The blots were re-probed with an anti-actin antibody (sc-1616R; Santa Cruz) as a loading control.

Molecular evolution. We sequenced the *tga1* promoter and coding regions for a set of 16 diverse land races of maize and 12 teosinte individuals (*Z. mays* ssp. *parviglumis*) and the outgroup *Zea diploperennis* (GenBank AY883436–AY883558) using PCR primers (see Supplementary Information). PCR products from *Z. diploperennis* were cloned into the TA vector (pCR 2.1-TOPO kit, Invitrogen), and at least four clones were sequenced. Nucleotide diversity (π), Tajima's *D*-statistic¹⁰ and Hudson–Kreitman–Aguadé (HKA) tests¹¹ were calculated in DnaSP Version 4.0 (ref. 25). For the HKA tests, *Z. diploperennis* was used as the outgroup, and *adh1*, *adh2*, *gbl1* and *te1* were used as control loci^{9,12}. The overall HKA *P*-value was obtained by summing the individual χ^2 values for the four control genes.

Received 23 February; accepted 31 May 2005.

- Dorweiler, J., Stec, A., Kermicle, J. & Doebley, J. *Teosinte glume architecture1*: A genetic locus controlling a key step in maize evolution. *Science* **262**, 233–235 (1993).
- Klein, J., Saedler, H. & Huijser, P. A new family of DNA binding proteins includes putative transcriptional regulators of the *Antirrhinum majus* floral meristem identity gene *SQUAMOSA*. *Mol. Gen. Genet.* **250**, 7–16 (1996).
- Doebley, J. The genetics of maize evolution. *Annu. Rev. Genet.* **38**, 37–59 (2004).
- Maynard Smith, J. Macroevolution. *Nature* **289**, 13–14 (1981).
- Mangelsdorf, P. C. & Reeves, R. G. The origin of maize. *Proc. Natl Acad. Sci. USA* **24**, 303–312 (1938).
- Wilkes, H. G. *Teosinte: The Closest Relative of Maize* (Bussey Institution of Harvard Univ., Cambridge, 1967).
- Dorweiler, J. & Doebley, J. Developmental analysis of *teosinte glume architecture1*: a key locus in the evolution of maize (Poaceae). *Am. J. Bot.* **84**, 1313–1322 (1997).
- Doebley, J. & Stec, A. Inheritance of the morphological differences between maize and teosinte: comparison of results for two F₂ populations. *Genetics* **134**, 559–570 (1993).
- Tenaillon, M. I., U'Ren, J., Tenaillon, O. & Gaut, B. S. Selection versus demography: A multilocus investigation of the domestication process in maize. *Mol. Biol. Evol.* **21**, 1214–1225 (2004).
- Tajima, F. Statistical method for testing the neutral mutation hypothesis by DNA polymorphism. *Genetics* **123**, 585–595 (1989).
- Hudson, R. R., Kreitman, M. & Aguade, M. A. test of neutral molecular evolution based on nucleotide data. *Genetics* **116**, 153–159 (1987).
- White, S. E. & Doebley, J. F. The molecular evolution of *terminal ear1*, a regulatory gene in the genus *Zea*. *Genetics* **153**, 1455–1462 (1999).
- Clark, R. M., Linton, E., Messing, J. & Doebley, J. F. Pattern of diversity in the genomic region near the maize domestication gene *tb1*. *Proc. Natl Acad. Sci. USA* **101**, 700–707 (2004).
- Kim, Y. & Stephan, W. Detecting a local signature of genetic hitchhiking along a recombining chromosome. *Genetics* **160**, 765–777 (2002).
- Przeworski, M. Estimating the time since the fixation of a beneficial allele. *Genetics* **164**, 1667–1676 (2003).
- Beadle, G. W. Teosinte and the origin of maize. *J. Hered.* **30**, 245–247 (1939).
- Cong, B., Liu, J. & Tanksley, S. D. Natural alleles at a tomato fruit size quantitative trait locus differ by heterochronic regulatory mutations. *Proc. Natl Acad. Sci. USA* **99**, 13606–13611 (2002).
- Doebley, J., Stec, A. & Hubbard, L. The evolution of apical dominance in maize. *Nature* **386**, 485–488 (1997).
- Nesbitt, T. C. & Tanksley, S. D. Comparative sequencing in the genus *Lycopersicon*. Implications for the evolution of fruit size in the domestication of cultivated tomatoes. *Genetics* **162**, 365–379 (2002).
- Purugganan, M. D., Boyles, A. L. & Suddith, J. I. Variation and selection at the *CAULIFLOWER* floral homeotic gene accompanying the evolution of domesticated *Brassica oleracea*. *Genetics* **155**, 855–862 (2000).
- Darwin, C. *On The Origin of Species by Means of Natural Selection* (John Murray, London, 1859).
- Gottlieb, L. D. Genetics and morphological evolution in plants. *Am. Naturalist* **123**, 681–709 (1984).
- Lande, R. The response to selection on major and minor mutations affecting a metrical trait. *Heredity* **50**, 47–65 (1983).
- Jackson, D. in *Plant Molecular Pathology: A Practical Approach* (eds Gurr, S. J., McPherson, M. J. & Bowles, D. J.) 163–174 (Oxford Univ. Press, Oxford, 1992).
- Rozas, J. & Rozas, R. DnaSP version 3: an integrated program for molecular population genetics and molecular evolution analysis. *Bioinformatics* **15**, 174–175 (1999).

Supplementary Information is linked to the online version of the paper at www.nature.com/nature.

Acknowledgements We thank D. Baum and J. Wendel for comments, R. Clark for helpful discussions; E. Ananiev, K. Fengler and M. Morgante for help with screening and identifying BAC contigs; the DuPont sequencing group for BAC sequencing; and P. Rose for assistance with genetic mapping. This research was supported in part by grants from the National Institutes of Health and the USDA Hatch program (to J.F.D.), a Howard Hughes Medical Institute predoctoral fellowship (to K.B.), and an Environmental Protection Agency predoctoral fellowship (to L.L.).

Author Information All sequences have been deposited in GenBank under accession numbers AY883436–AY883568. Reprints and permissions information is available at npg.nature.com/reprintsandpermissions. The authors declare no competing financial interests. Correspondence and requests for materials should be addressed to J.F.D. (jdoebl@wisc.edu).